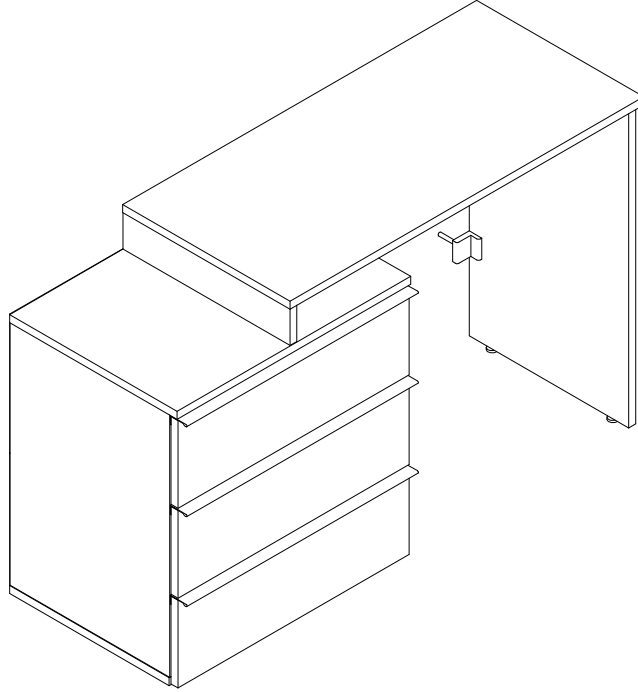
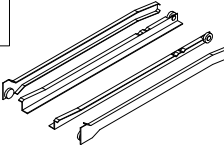
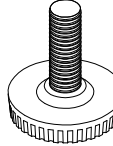
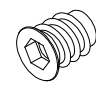
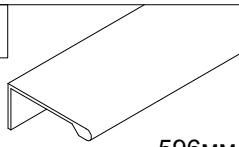
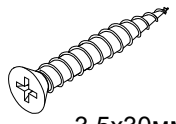
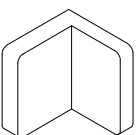
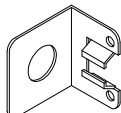

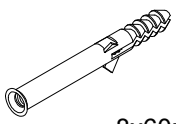
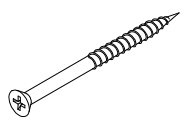
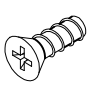
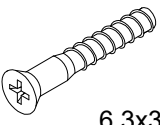
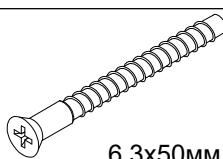
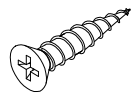
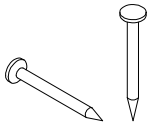
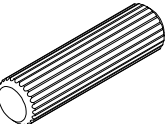
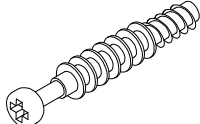
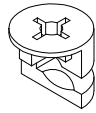

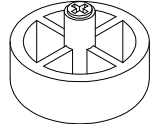
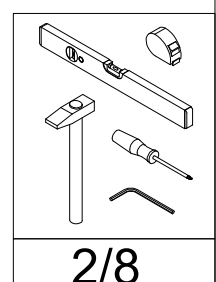
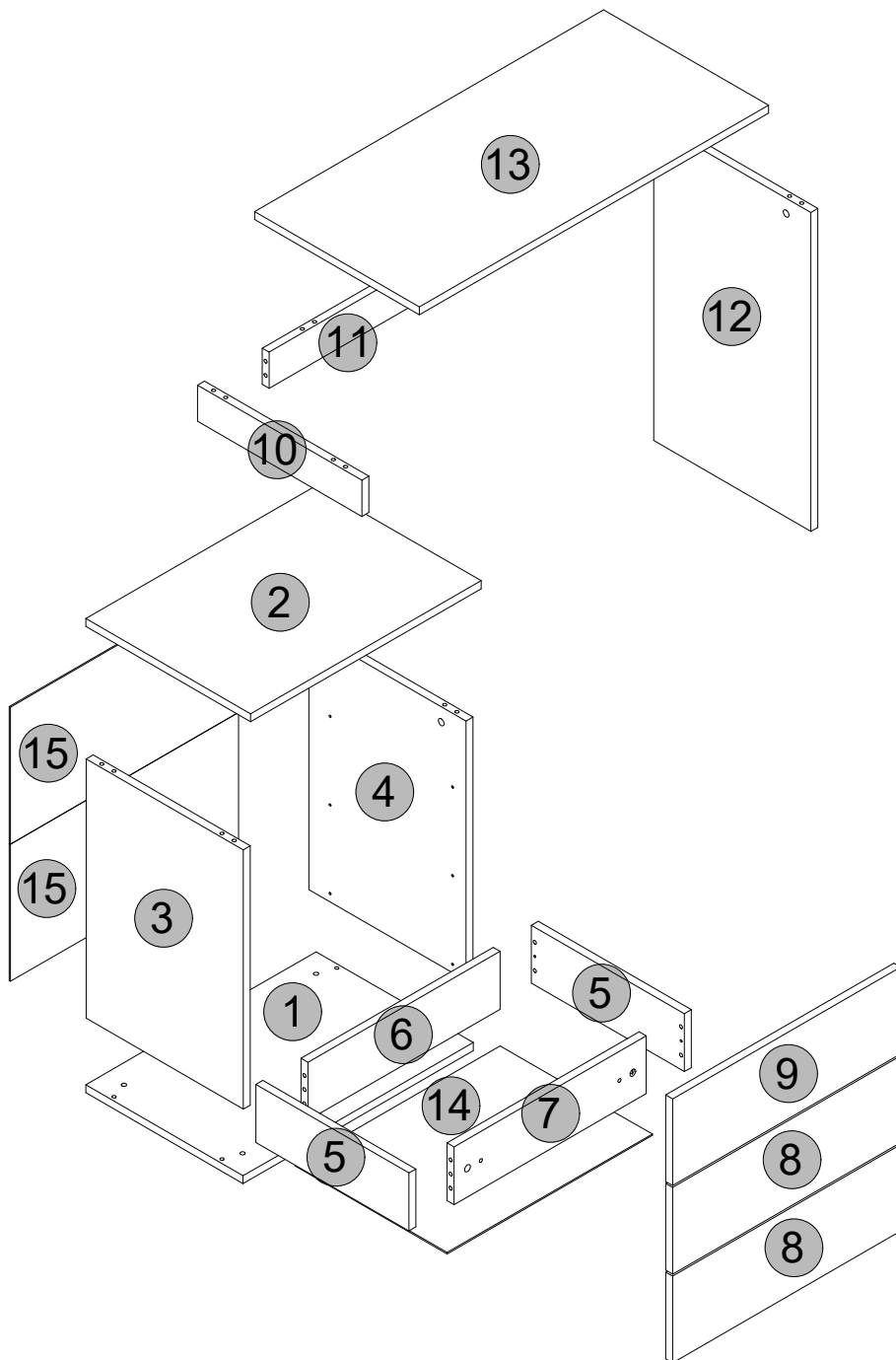


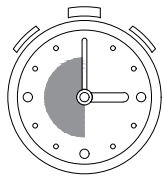
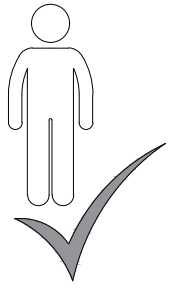


www.mbx.bg

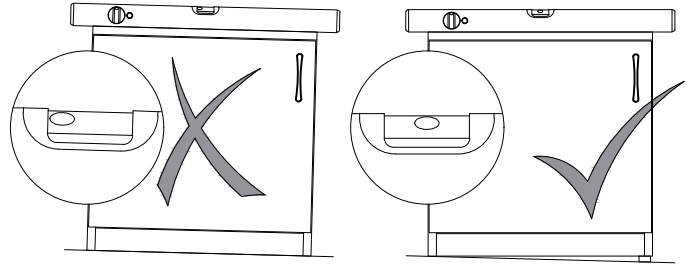
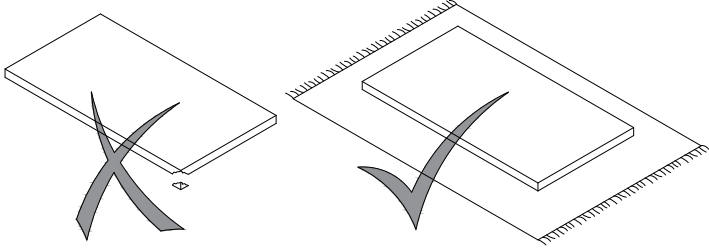
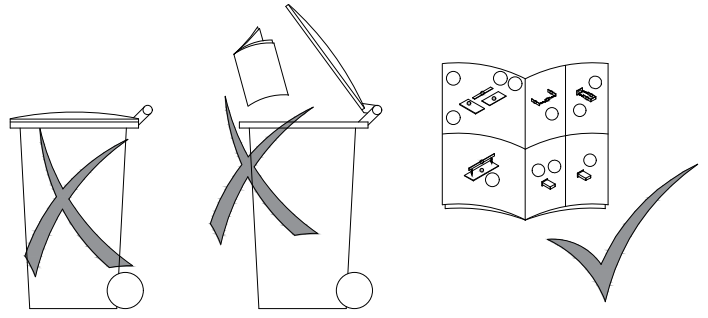


P  3x	Q  2x	R  2x	S  3x 596MM	T  6x 3,5x30MM
K  1x	L  1x	M  1x	N  1x 8x60MM	O  1x
F  12x 6,3x13MM	G  6x 6,3x30MM	H  6x 6,3x50MM	I  23x 3,5x16MM	J  100x
A  36x	B  24x	C  24x	D  8x	E  4x

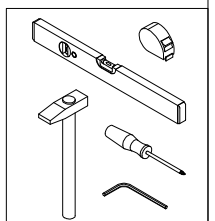
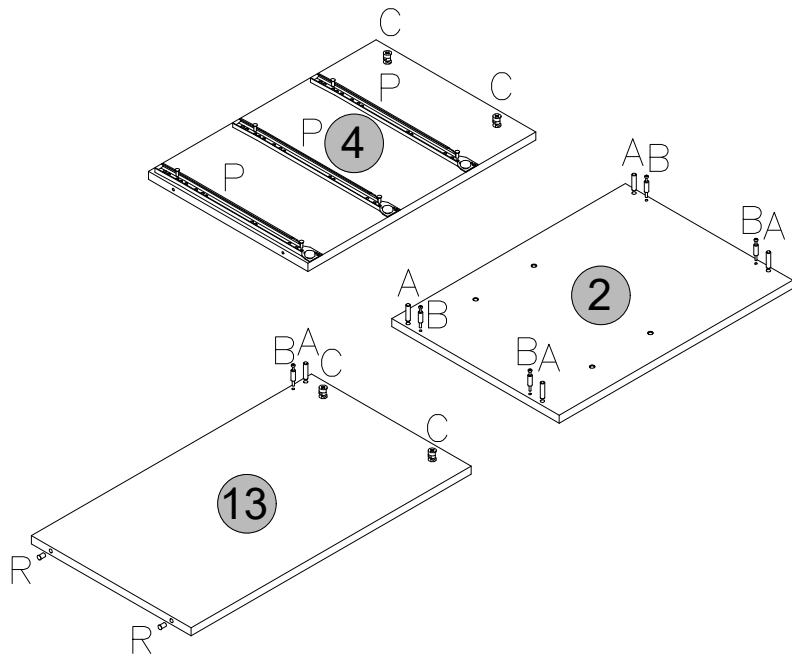
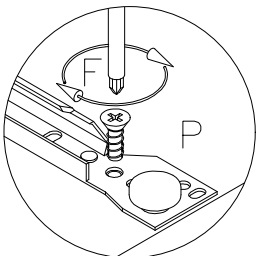
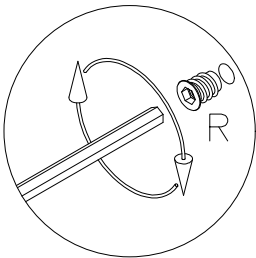
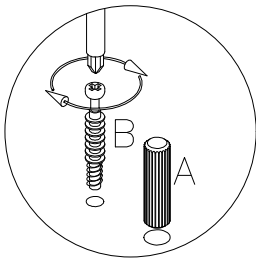




30 min

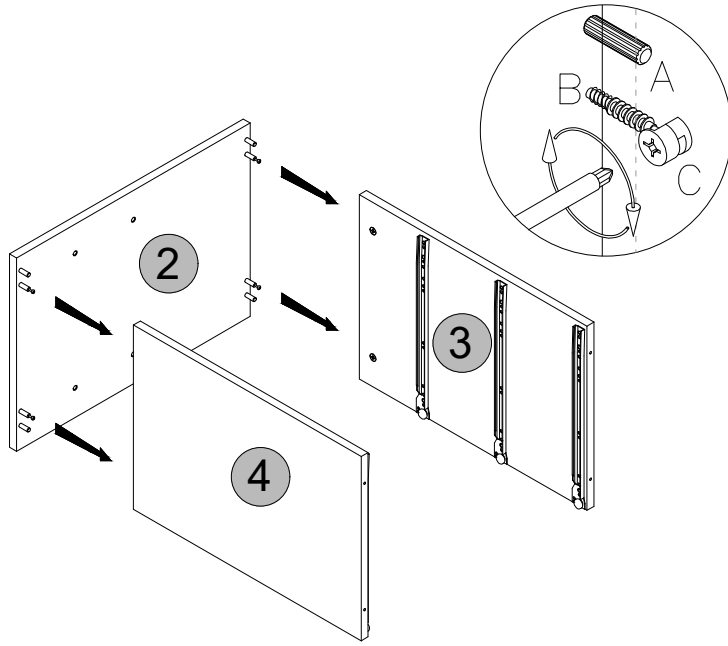


1

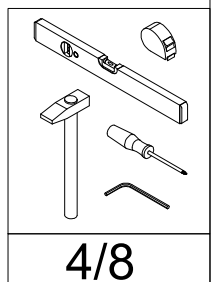
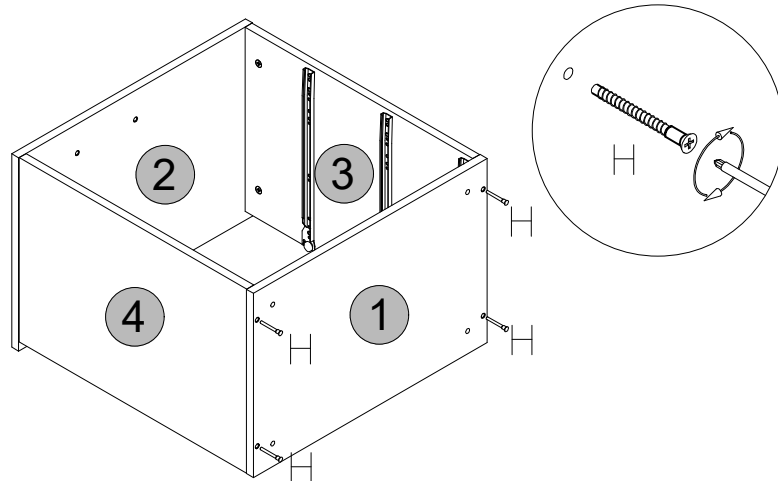


3/8

2

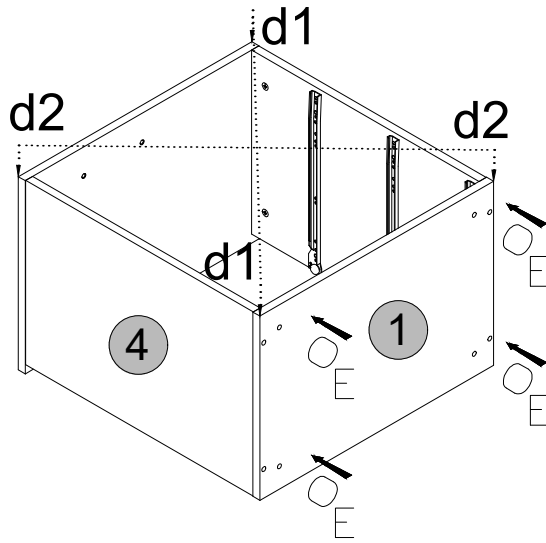
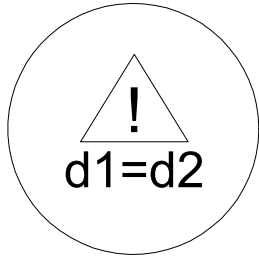


3

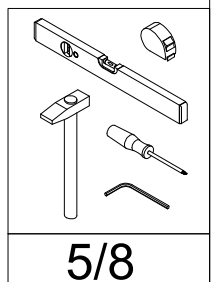
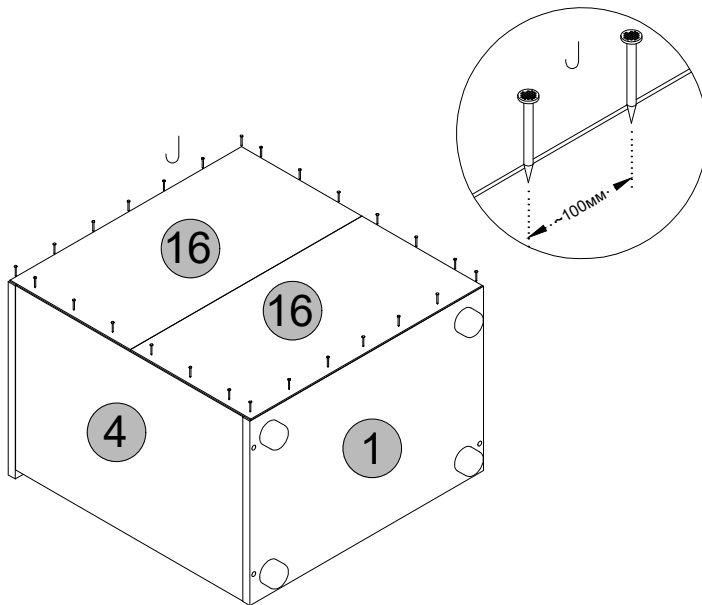


4/8

4

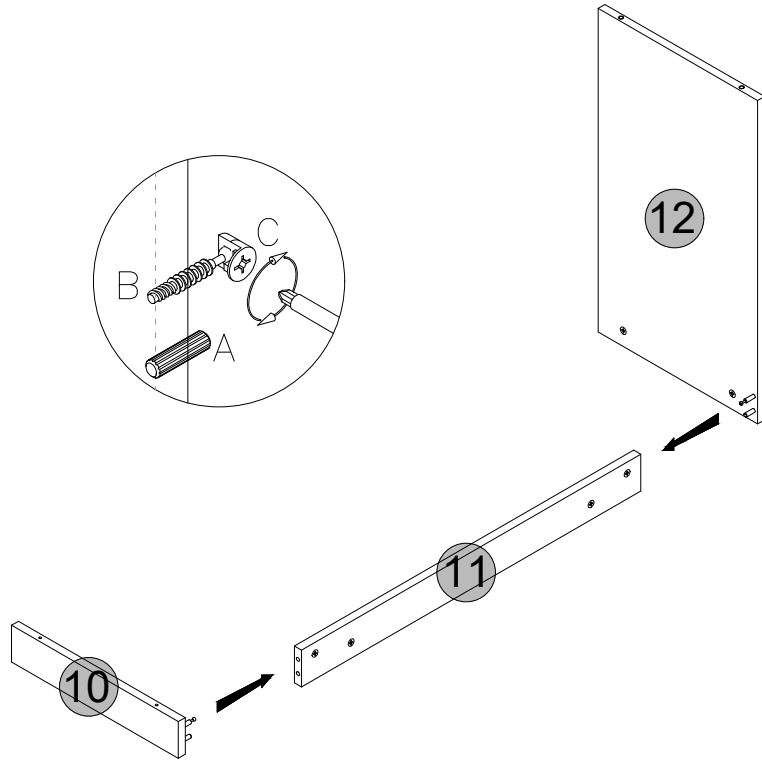


5

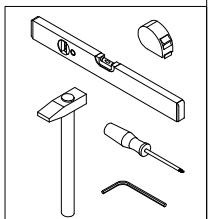
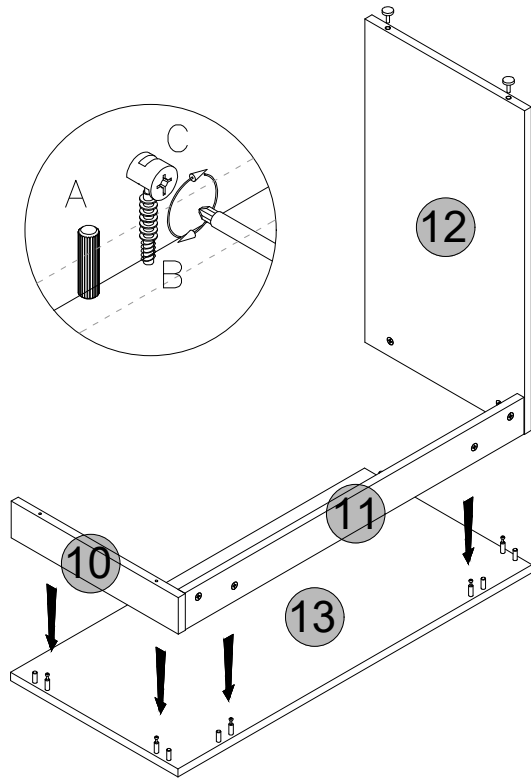


5/8

6

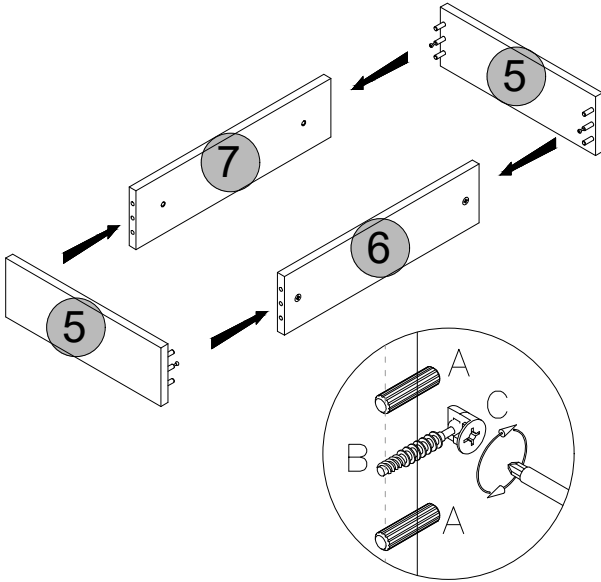


7

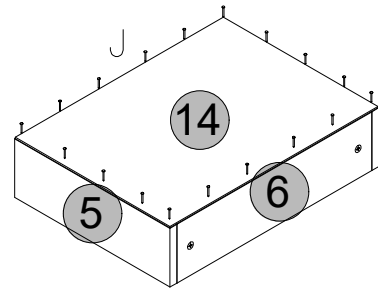


6/8

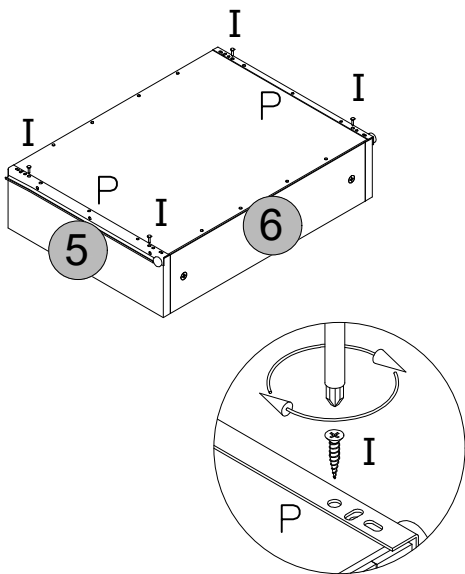
8



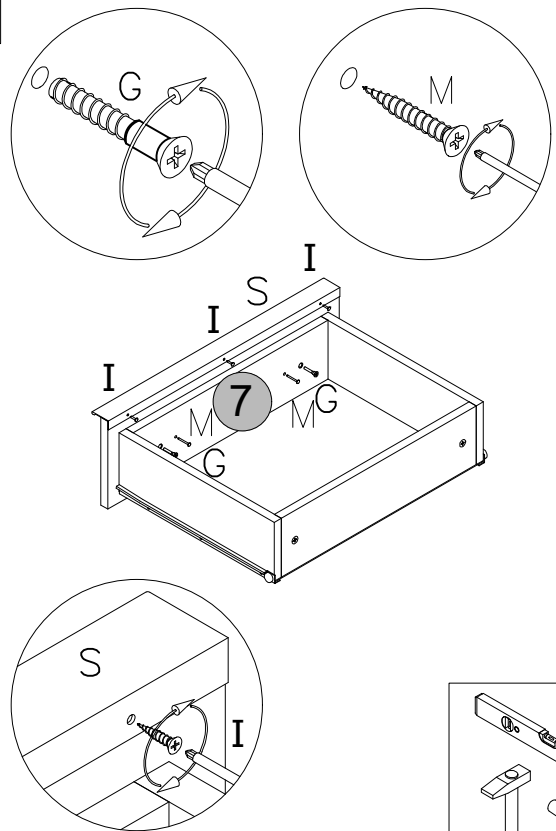
9



10

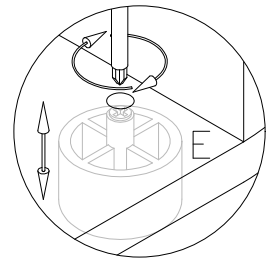
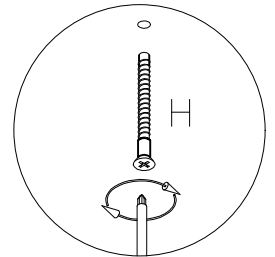
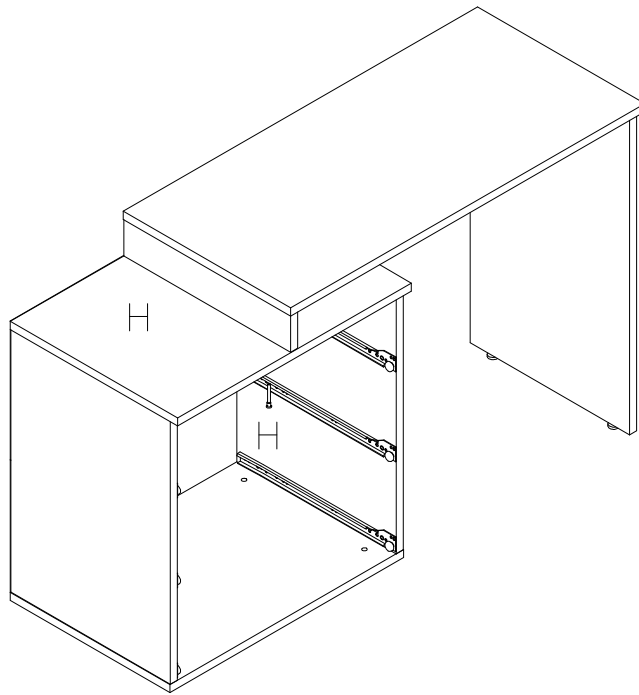


11

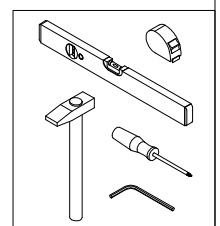
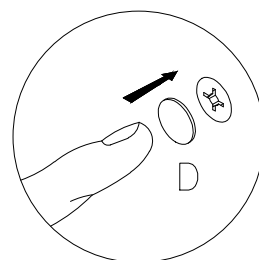
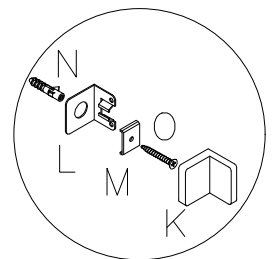
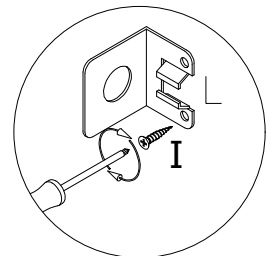
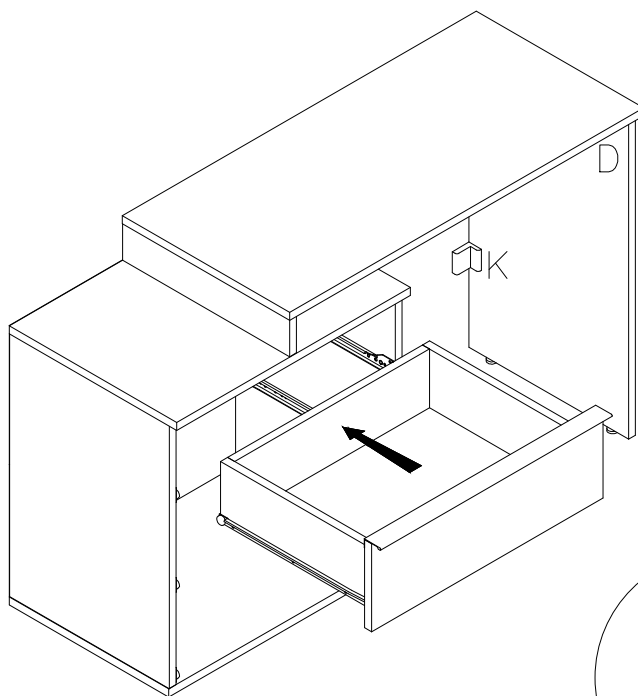


7/8

12



13



8/8