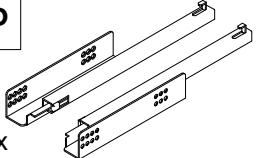
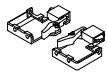
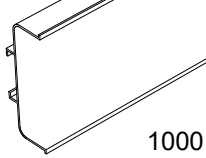
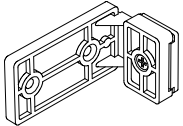
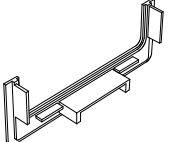
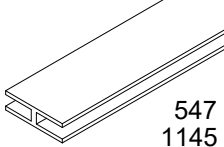
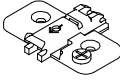
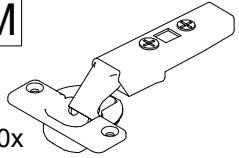

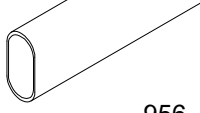
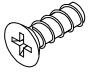
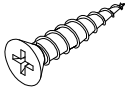
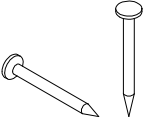
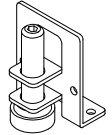
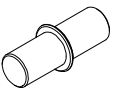
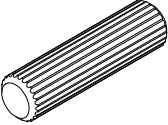
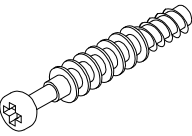
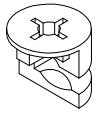

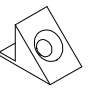
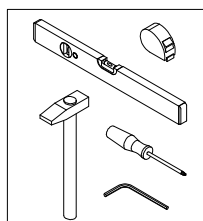
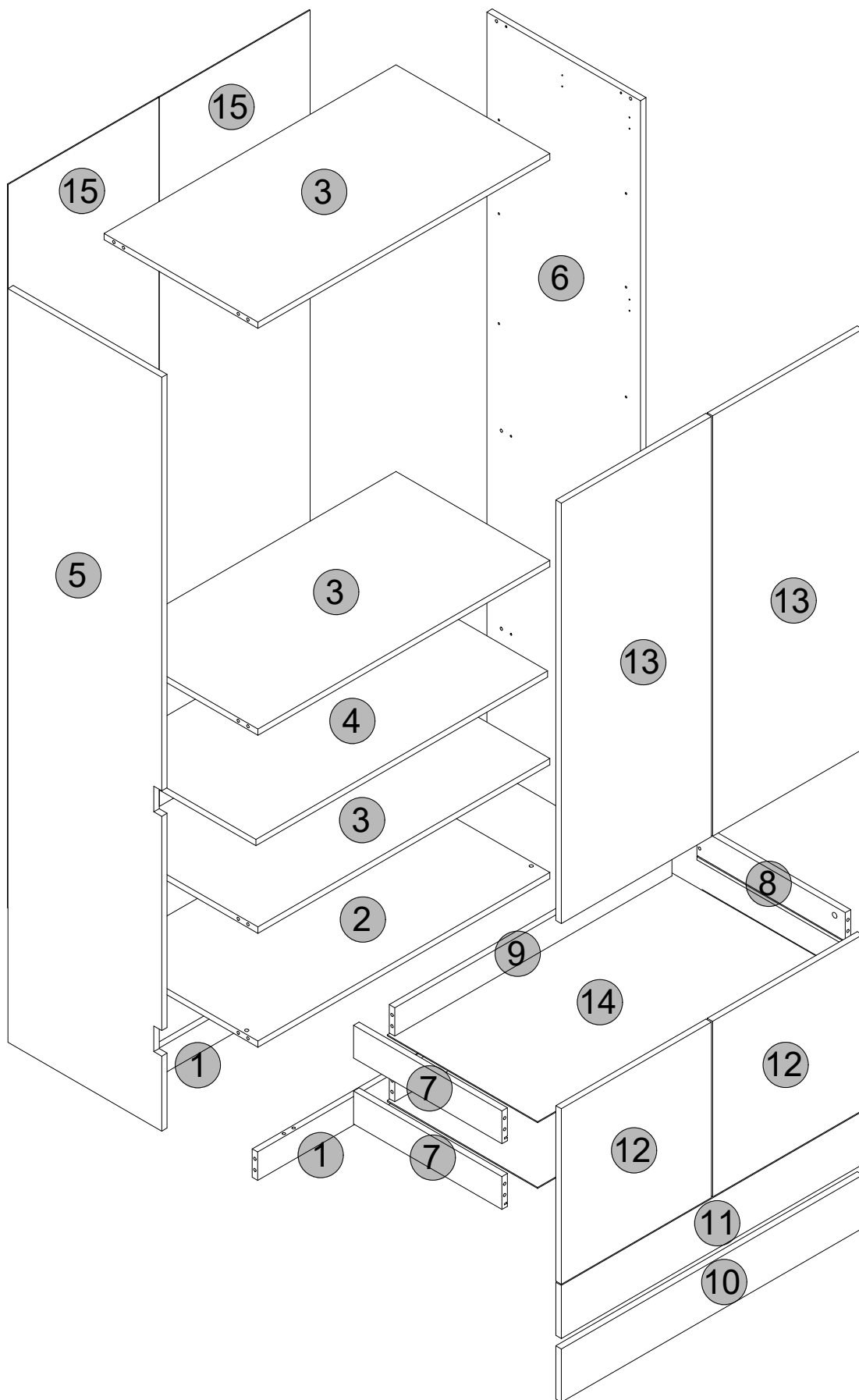
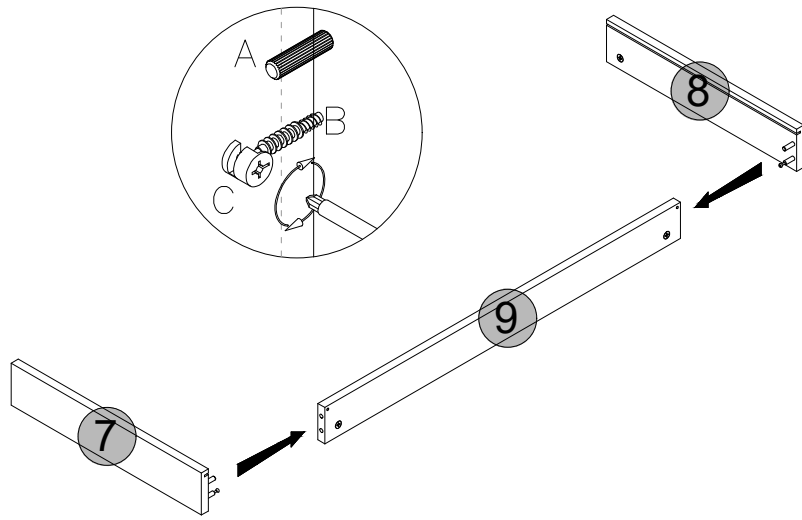


<b>P</b>  2x	<b>Q</b>  2x	<b>R</b>  2x 1000	<b>S</b>  4x	<b>T</b>  4x
<b>K</b>  1x 547 1x 1145	<b>L</b>  10x	<b>M</b>  10x	<b>N</b>  2x	<b>O</b>  1x 956
<b>F</b>  8x	<b>G</b>  74x	<b>H</b>  90x	<b>I</b>  4x	<b>J</b>  4x
<b>A</b>  36x	<b>B</b>  28x	<b>C</b>  28x	<b>D</b>  16x	<b>E</b>  6x

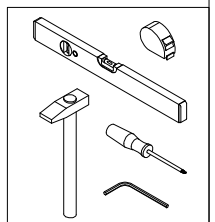
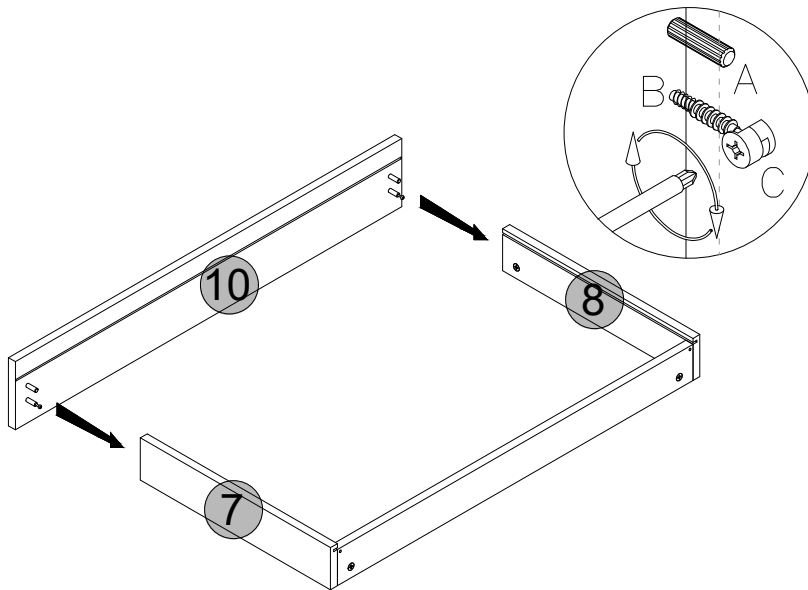




2

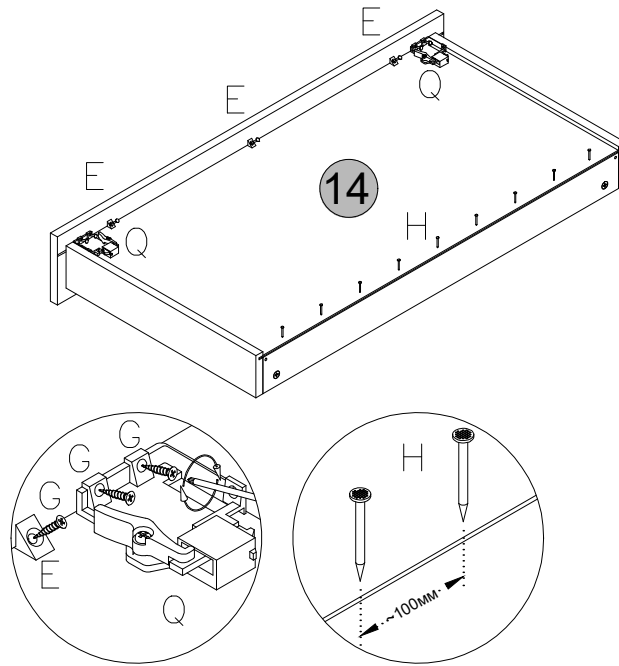


3

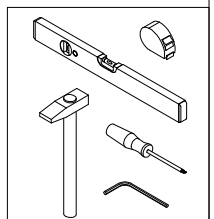
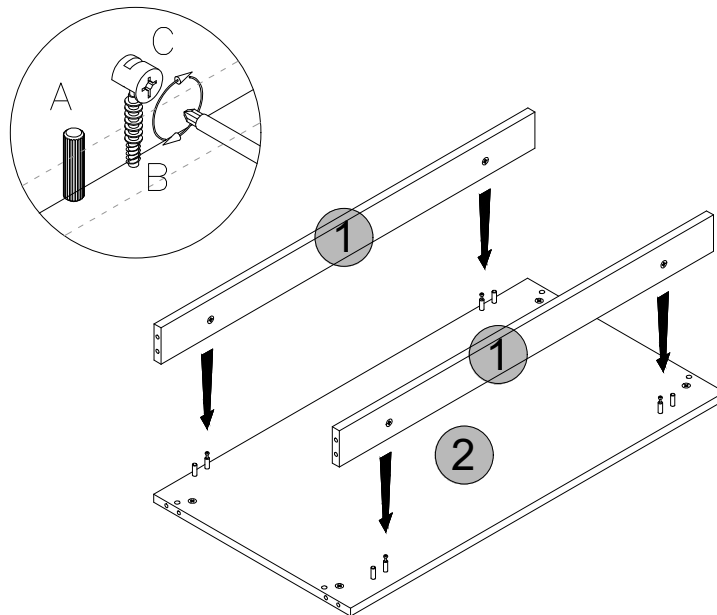


4/8

4

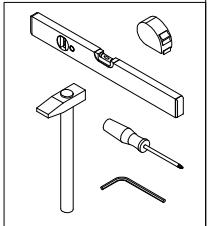
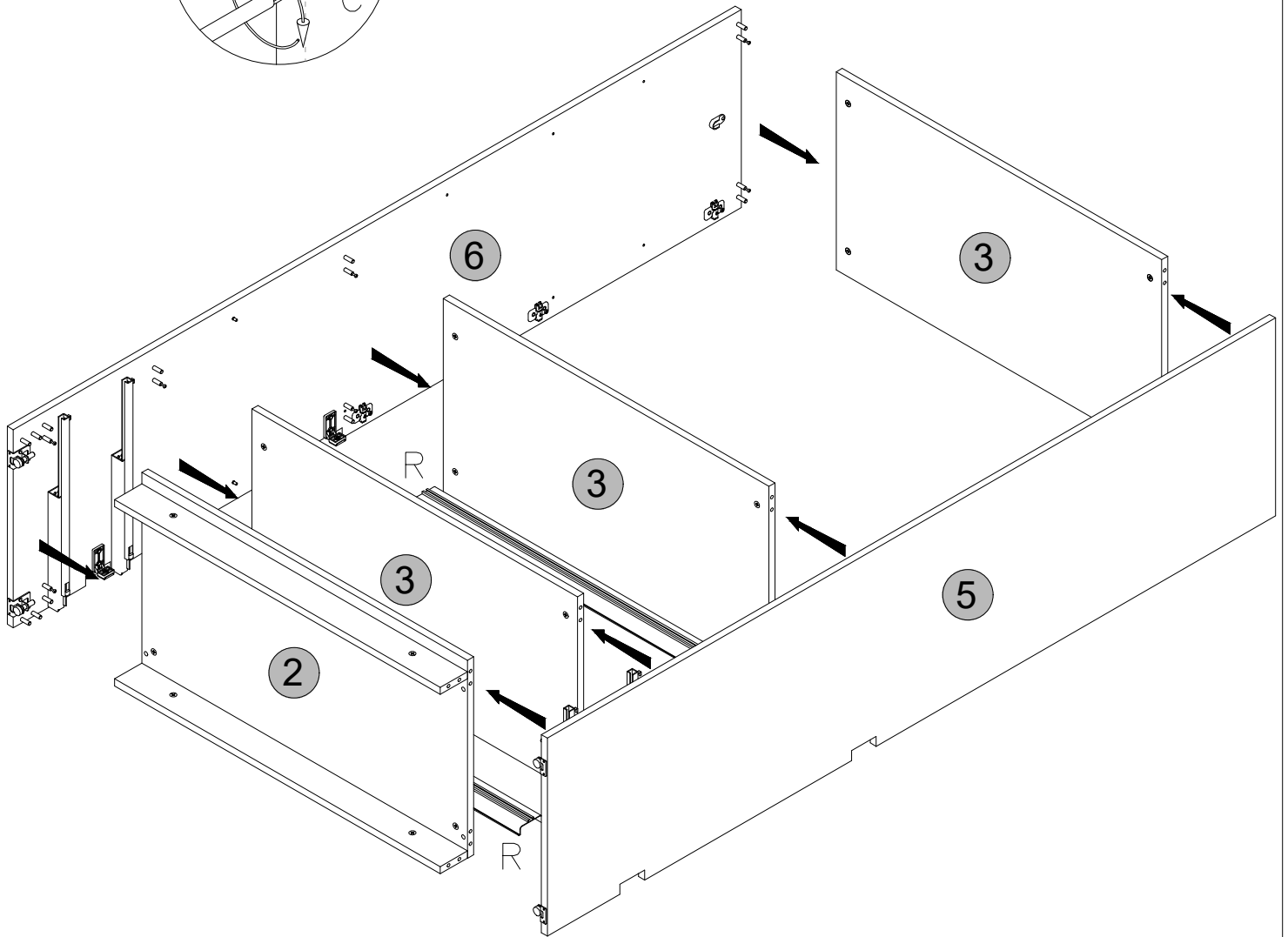
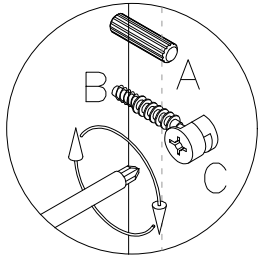


5



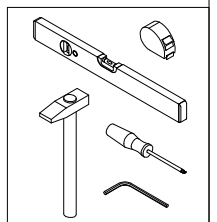
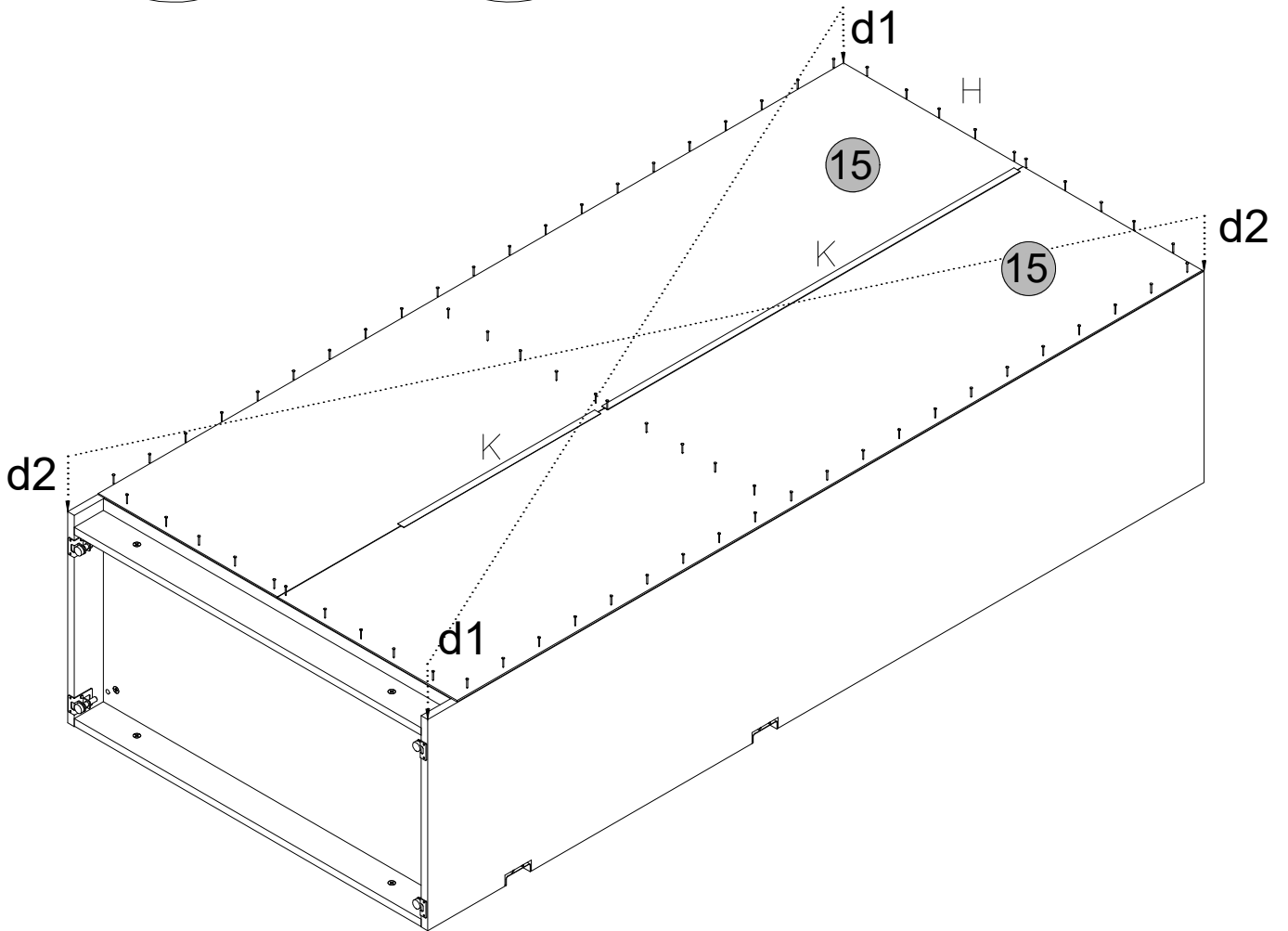
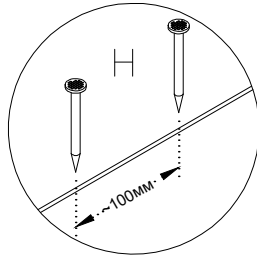
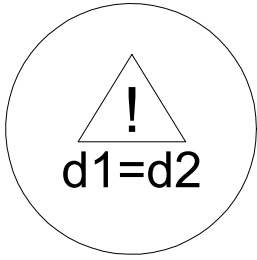
5/8

6



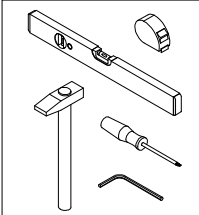
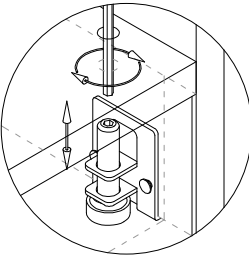
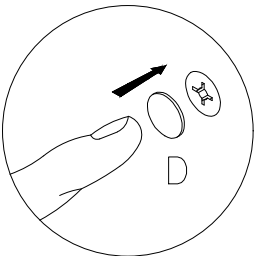
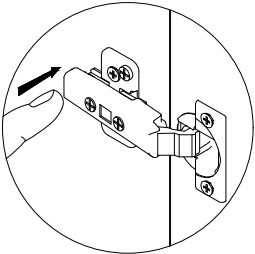
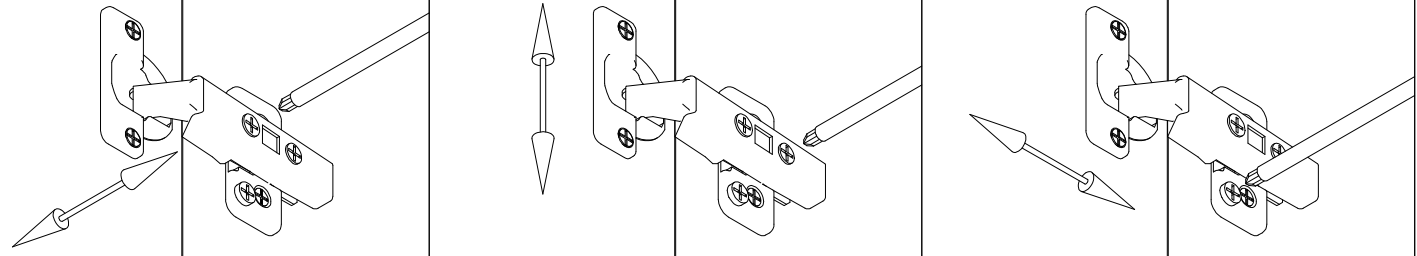
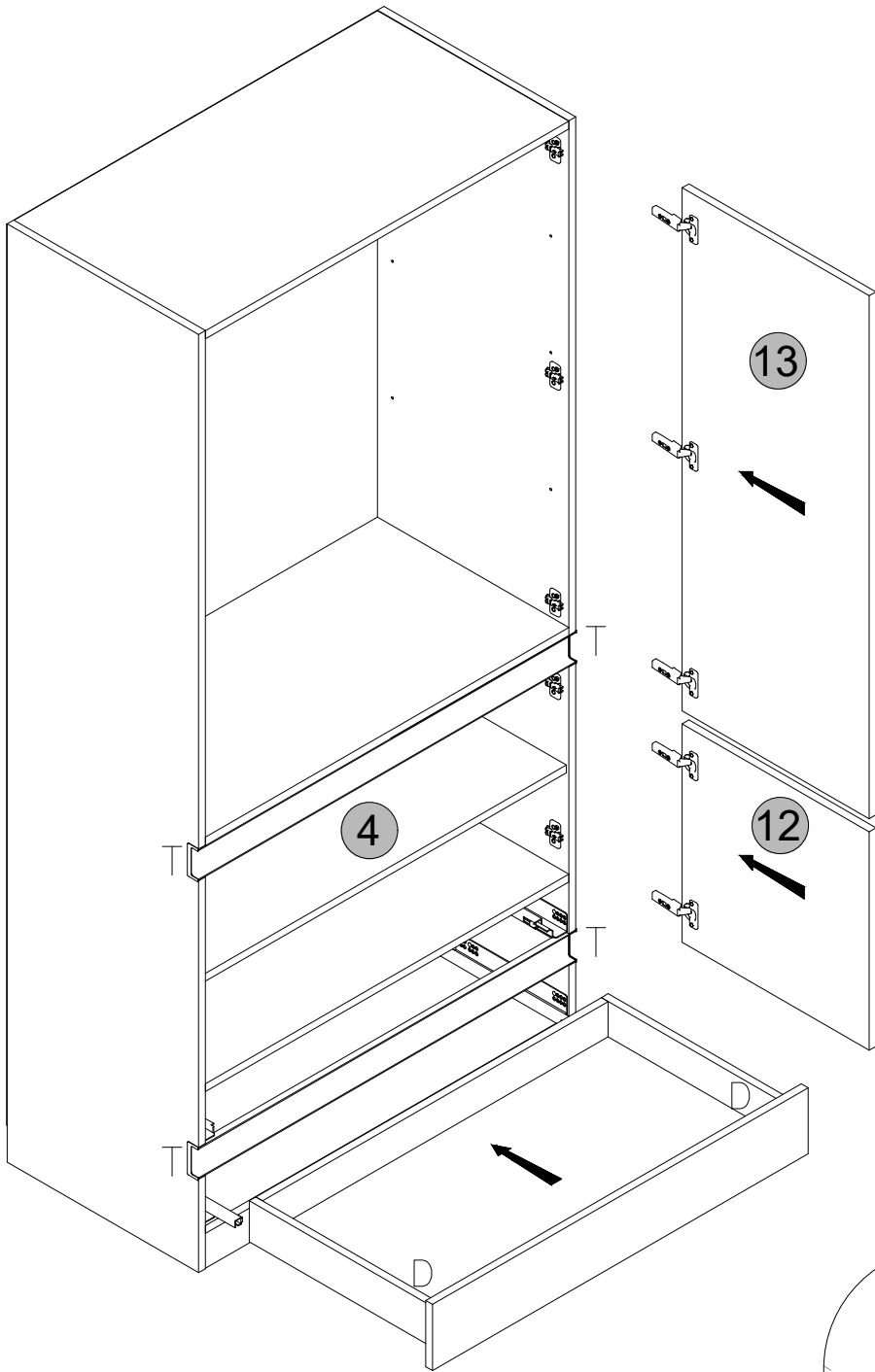
6/8

7



7/8

8



8/8